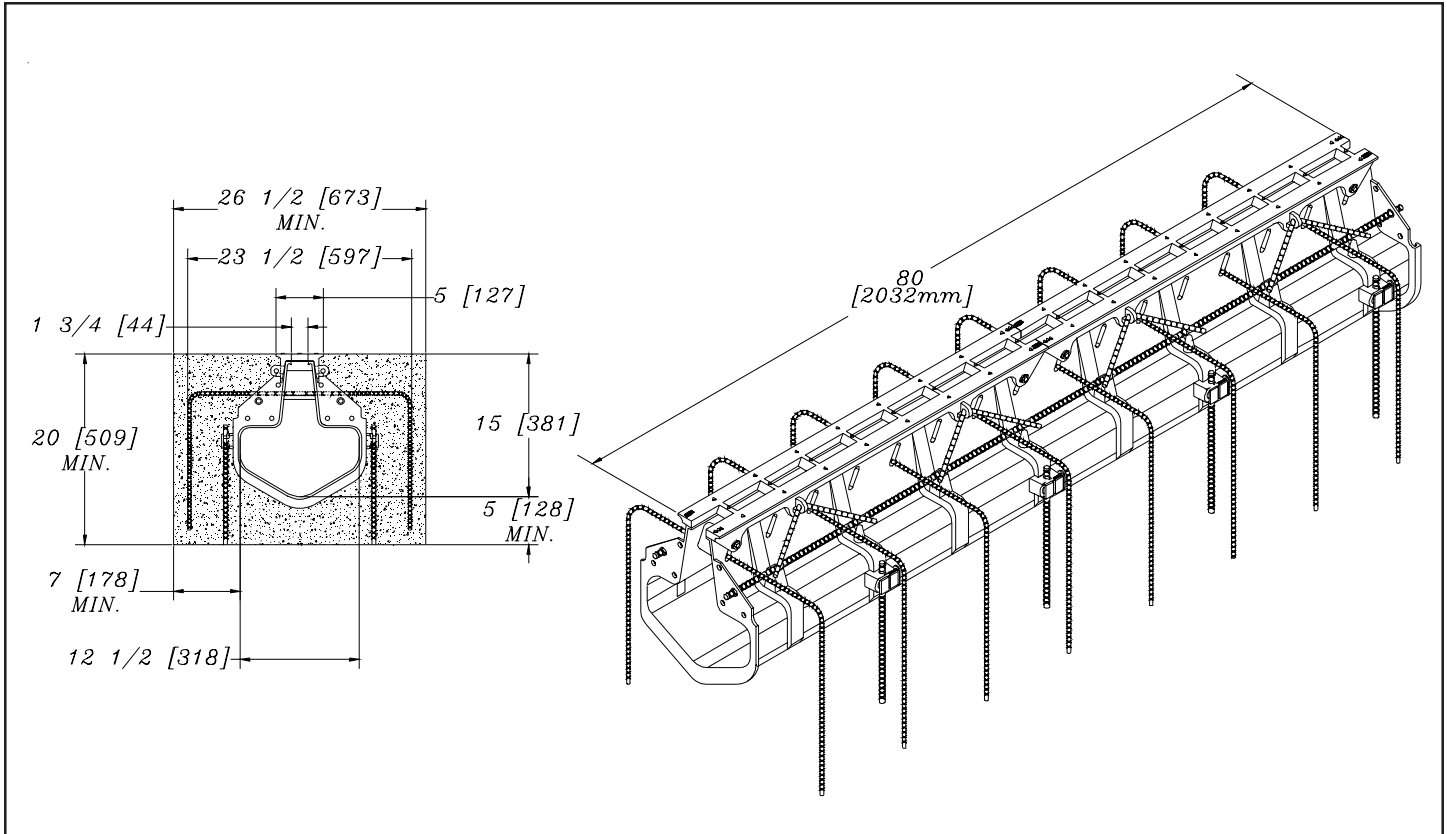




## Z-888-12-DYN HI-CAP SLOTTED DRAINAGE SYSTEM FOR DYNAMIC/AIRPORT LOADING



### ENGINEERING SPECIFICATION

**Zurn Z-888-12-DYN** 13" wide 1 3/4" Hi-Cap slotted drainage system. Linear low density polyethylene modular drain channel with smooth non-stick, non-corrosive interior and 0% water absorption. 80" modular sections with integral frame, mechanically interlocking joints and smooth radiused interior. Integral tie-down/leveling devices at 20" intervals, U-shaped tensile strength rebar (#4) at 10" intervals, 4,000 psi concrete encasement, and load distribution rebar stances with continuous lengths of rebar (#4) for structural integrity. **(Rebar, wire, and 4,000 psi concrete to be supplied by other.)**

### PREFIX OPTIONS

**Z\***- 80" linear low density polyethylene modular drain channel with integral top frame.

### FRAME OPTIONS (must choose one)

- \_\_\_\_\_ **-DGF** Ductile Iron Galvanized Frame
- \_\_\_\_\_ **-DF** Ductile Iron Black Dura Coated Frame
- \_\_\_\_\_ **-FK** Vertical Side Inlet Top Frame Flo-Kerb
- \_\_\_\_\_ **-HPD** Heelproof Ductile Iron Grate
- \_\_\_\_\_ **-HPG** Heelproof Ductile Iron Galvanized frame/grate
- \_\_\_\_\_ **-HPS** Heelproof Cast Stainless frame/grate
- \_\_\_\_\_ **-PSF** Pre-sloped Frame(slope \_\_\_\_\_, and length of run \_\_\_\_\_)
- \_\_\_\_\_ **-SF** Cast Stainless Frame

### SUFFIX OPTIONS

- \_\_\_\_\_ **-E1** End Cap
- \_\_\_\_\_ **-E8** 8" No Hub End Outlet
- \_\_\_\_\_ **-E12** 12" No Hub End Outlet
- \_\_\_\_\_ **-E18** 18" No Hub End Outlet
- \_\_\_\_\_ **-E24** 24" No Hub End Outlet
- \_\_\_\_\_ **-T12/18** Transition from -12 to -18
- \_\_\_\_\_ **-T18/12** Transition from -18 to -12

Supplied By:

**TRENCHDRAIN  
SUPPLY**

**877-903-7246**

[www.trenchdrainsupply.com](http://www.trenchdrainsupply.com)

REV. B    DATE: 12/05/03    C.N. NO. 101113

DWG. NO. 64093    PRODUCT NO. Z-888-12-DYN

\*Regularly Furnished Unless Otherwise Specified

ZURN INDUSTRIES, INC., FLO-THRU DIV., 2640 South Work Street, Falconer, NY 14733

Phone: 716/665-1132, Fax: 716/665-1135, World Wide Web: [www.zurn.com](http://www.zurn.com)

In Canada: ZURN INDUSTRIES LIMITED, 3544 Nashua Drive, Mississauga, Ontario L4V1L2, Phone: 905/405-8272 Fax: 905/405-1292

In UK: Zurn Industries Ltd, Riverside Rd, Pottington Business Park, Barnstaple, Devon EX31 1QN, Phone 01271-340350 Fax 01271-344660